

Last modification

2023-07-14

MORAN PE03-AGOP 9329501060391



The MORAN pendant will add elegance and style to your living space. This linear suspension is simple and striking, with just the right mix of mouth blown glass shades positioned around the central body. Available as an extra long horizontal 18 light or 14 light or 9 light or a vertical 3 light pendant. 3 color combinations.

Overview

Family name	Moran
Categories	Pendants
Mounting	Surface
This item includes	Glass, Suspension
Shade Shape	Round
Suspension Type	Rod (1x300)+(2x600)
Usage	Indoor Lighting

Color / Material

Fixture Color	Antique Gold, Opal Matt
Fixture Material	Metal, Glass
Canopy Color	Antique Gold
Shade Material	Glass
Glass Color	Opal Matt

Size

Fixture Diameter (cm)	23.5
Fixture Height (cm)	35.5
Canopy Diameter (cm)	12.0
Canopy Projection (cm)	2.5
Shade Diameter (cm)	10.0

Specification

Voltage Input	240V
Total Wattage (max)	18
Wattage	6
Globe Type	G9

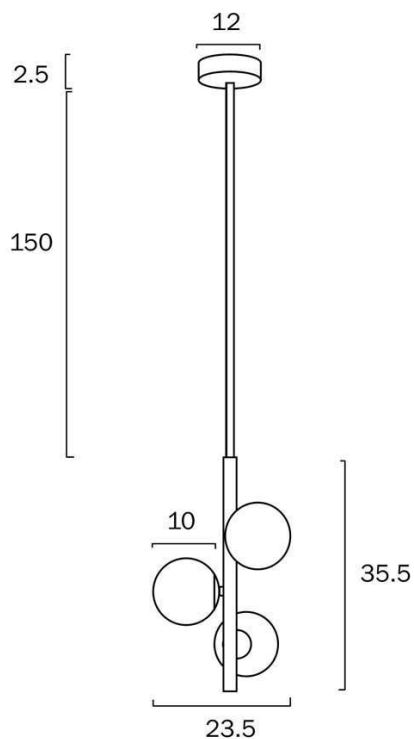
All representations within this document are subject to copyright. ELECTRICAL INSTALLATIONS MUST BE PERFORMED BY A QUALIFIED ELECTRICAL CONTRACTOR AND INSTALLED IN ACCORDANCE WITH AS/NZS 3000.
NOTE : All images , descriptions and dimensions are indicative. Please check latest version of item detail on Telbix website prior to ordering or installation.

Globe / Light Source qty	3
Globe / Light Source included	No
Dimmable	Globe Dependant
Electrical Protection	CLASS I - HIGH VOLTAGE, EARTH REQUIRED
IP rating	IP20
Approvals	RCM
Assembly Required	Yes
Box Contents	Basic mounting screws, Instruction
Installation Required	Yes (by Licensed Electrician only)
Care Instructions	Do not use strong liquid cleaners, Wipe clean with a dry cloth
Replacement Warranty	*3 Years

Barcode

GTIN 9329501060391

Image -dimensions



Globe Type Recommended

Label	Color Temperature	Thumbnail	GTIN
G G93W32			

