

TARVOS SUSPENDED FIREPLACE

INSTALLATION & USER MANUAL



CONTENTS

	Pages
1. TESTING	3
2. FLUE SYSTEM	4
3. TECHNICAL DATA	5-6
4. SPEC DRAWINGS	6-9
5. FIREBOX BEARING INSTALLATION	10-12

NEED TO CONTACT US?

BAYSIDE

19 Cochranes Road
Moorabbin
03 9482 3207

CLIFTON HILL

400 Hoddle Street
Clifton Hill
03 9482 6400

GEELONG

22 Corio Quay Road
Geelong North
03 5838 6898

1. TESTING

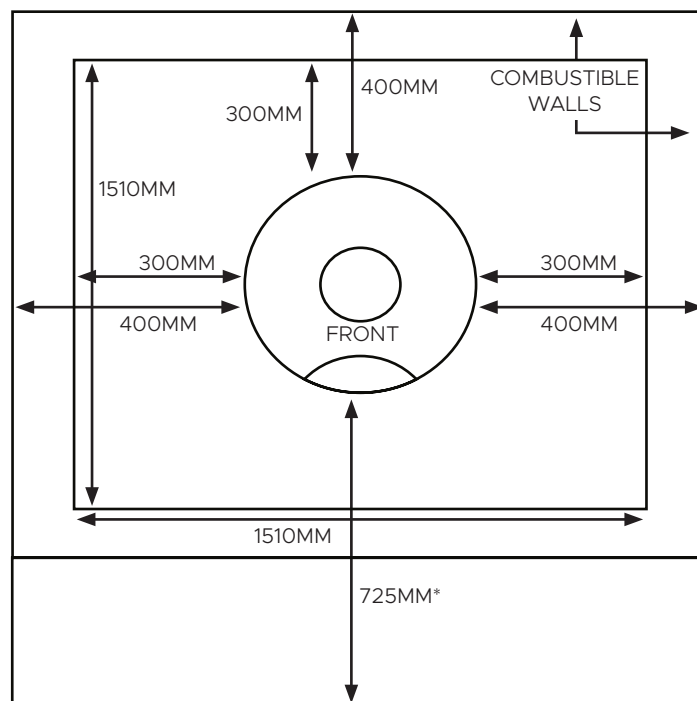
THERMAL CLEARANCE OF TARVOS SUSPENDED FIREPLACE

The base of the appliance must be no closer than 200mm from the floor protector. A minimum 1510mm deep x 1510mm wide x 36mm thick floor protector (compressed board) should be used under and in front of the appliance base when installing the appliance (see joint AS/NZS 2918:2018 3.3.2). The floor protector should extend 300mm in front of the appliance door and be placed centrally in the 1510mm width. The Thermal resistivity of the floor protector is 0.16m²K/W for 36mm thick compressed board sheets.

Non-combustible board must be used on the ceiling and extend a minimum of 250mm in all directions from the flue casing.

The Tarvos suspended fireplace installed with Appliance-Flue combination conforms to the requirements of the joint AS/NZS 2918:2018 Standard, Appendix B.

The appliance and flue system were tested at the following clearances:

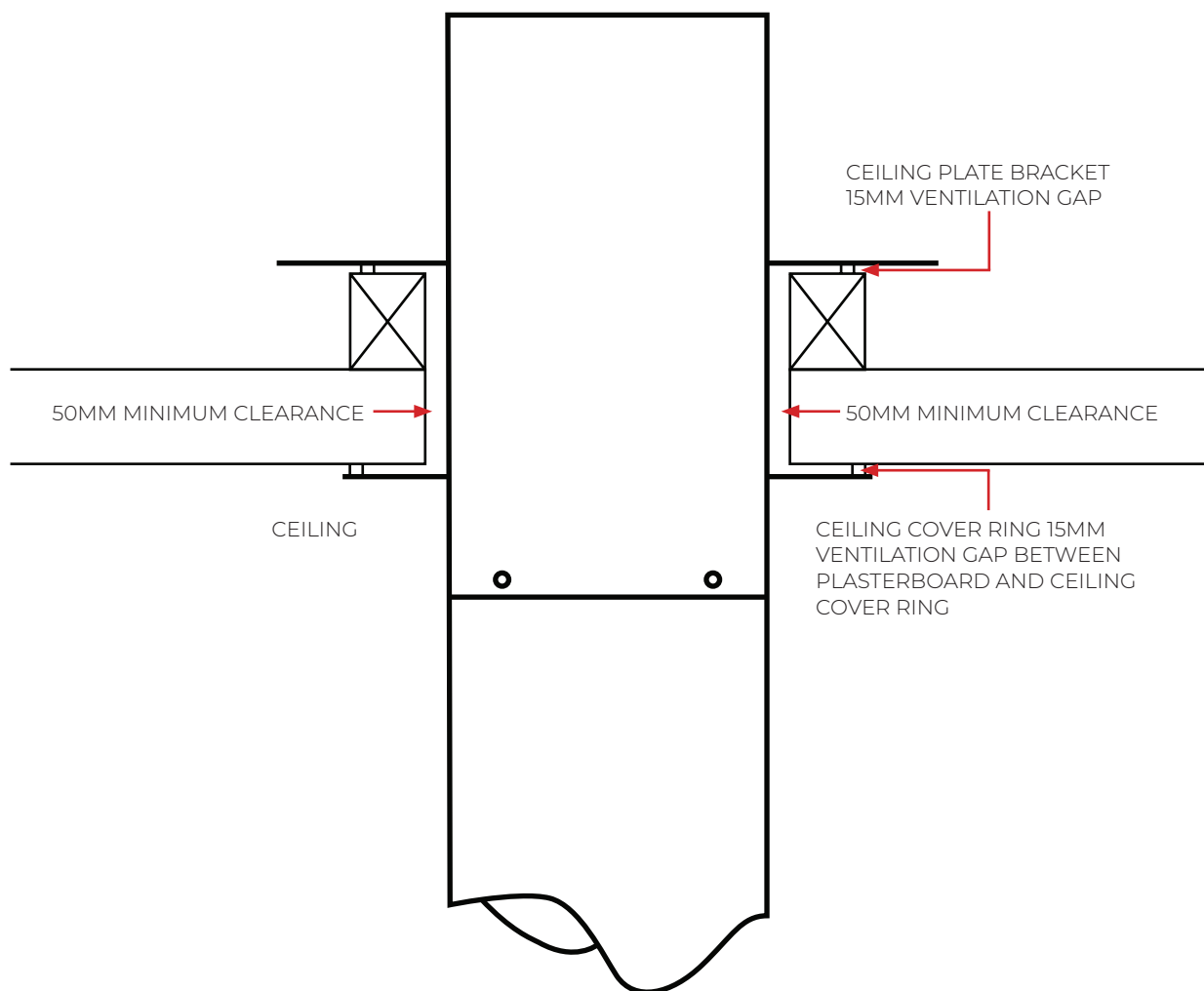


*The appliance can spin 360 degrees on its spigot. Therefore, when the front of appliance faces a combustible wall, the minimum 725mm clearance to combustible surfaces must be maintained.

2.

FLUE SYSTEM

The flue system used during testing was a Appliance-Flue combination was supplied by Schots Home Emporium. The ceiling ring/plate must be fitted with **15mm spacers** to maintain an air gap between the ceiling ring/plate and ceiling, a 50mm gap must be maintained around the flue to any combustible material in the ceiling penetration.



3.1

TECHNICAL DATA

Appliance Model Name:	Tarvos Suspended Fireplace
Manufacturer:	Schots Home Emporium
Overall Diameter Width:	910mm
Internal Firebox Height:	250mm
Height Diameter:	476mm
Usable Firebox Volume:	44.49 Litres
Firebox Material Type/Seam Fully Welded:	Fully seam welded 4mm steel
Firebrick Type:	N/A
Main Firebox Opening Height:	140mm
Main Firebox Opening Width:	815mm
Primary Air Location:	Main firebox opening
Baffle Plate Size:	No baffle
Damper:	Yes
Flue Dimensions:	203mm
Spigot Dimensions:	OD: 216mm ID: 206mm
Spigot to Rear of Appliance:	Centre of appliance
Grate:	Yes, with internal diameter of 476mm incorporating a grate
Nominal Heat Output:	10kW

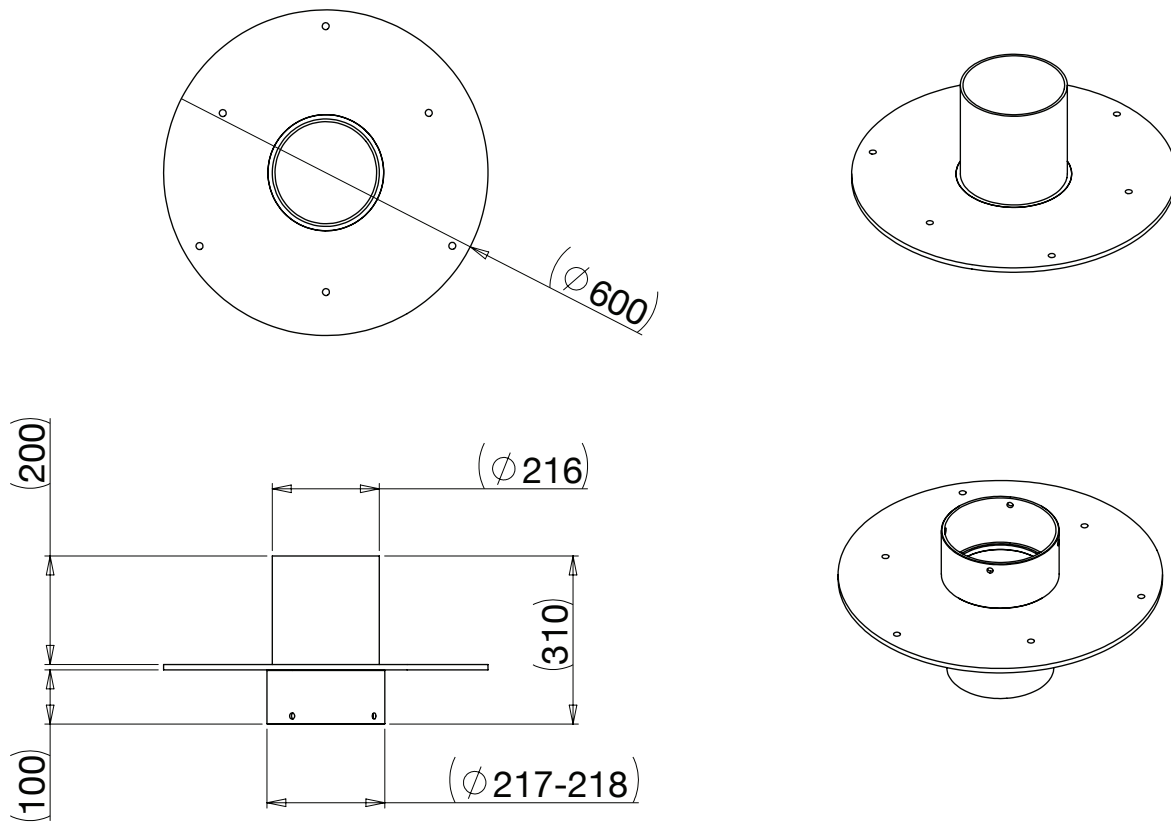
3.2

TECHNICAL DATA

TARVOS SUSPENDED FIREPLACE PRODUCT WEIGHT

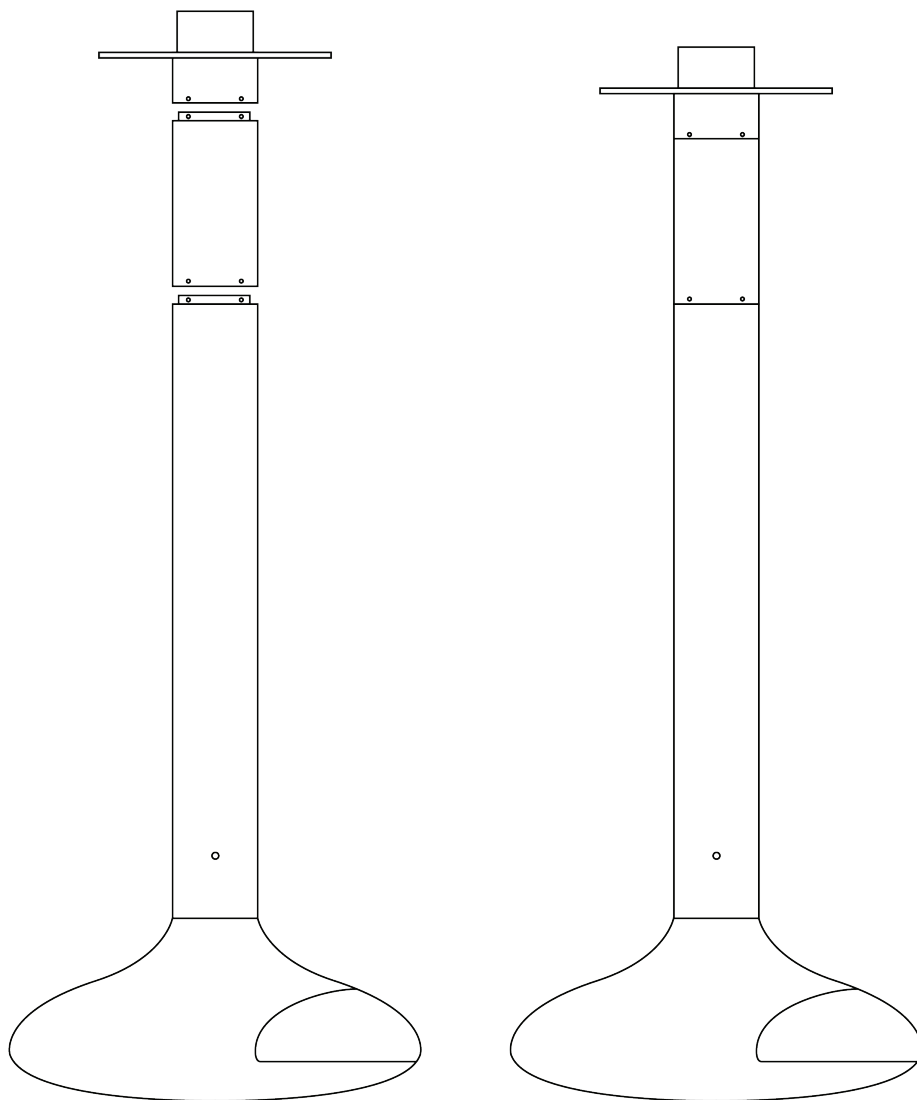
PART NAME	NET WEIGHT/KG
Body	66
Grate	21.5
Ceiling Plate	28
1.6m Flue	38-50
1.2m Flue	28-38

CEILING PLATE:



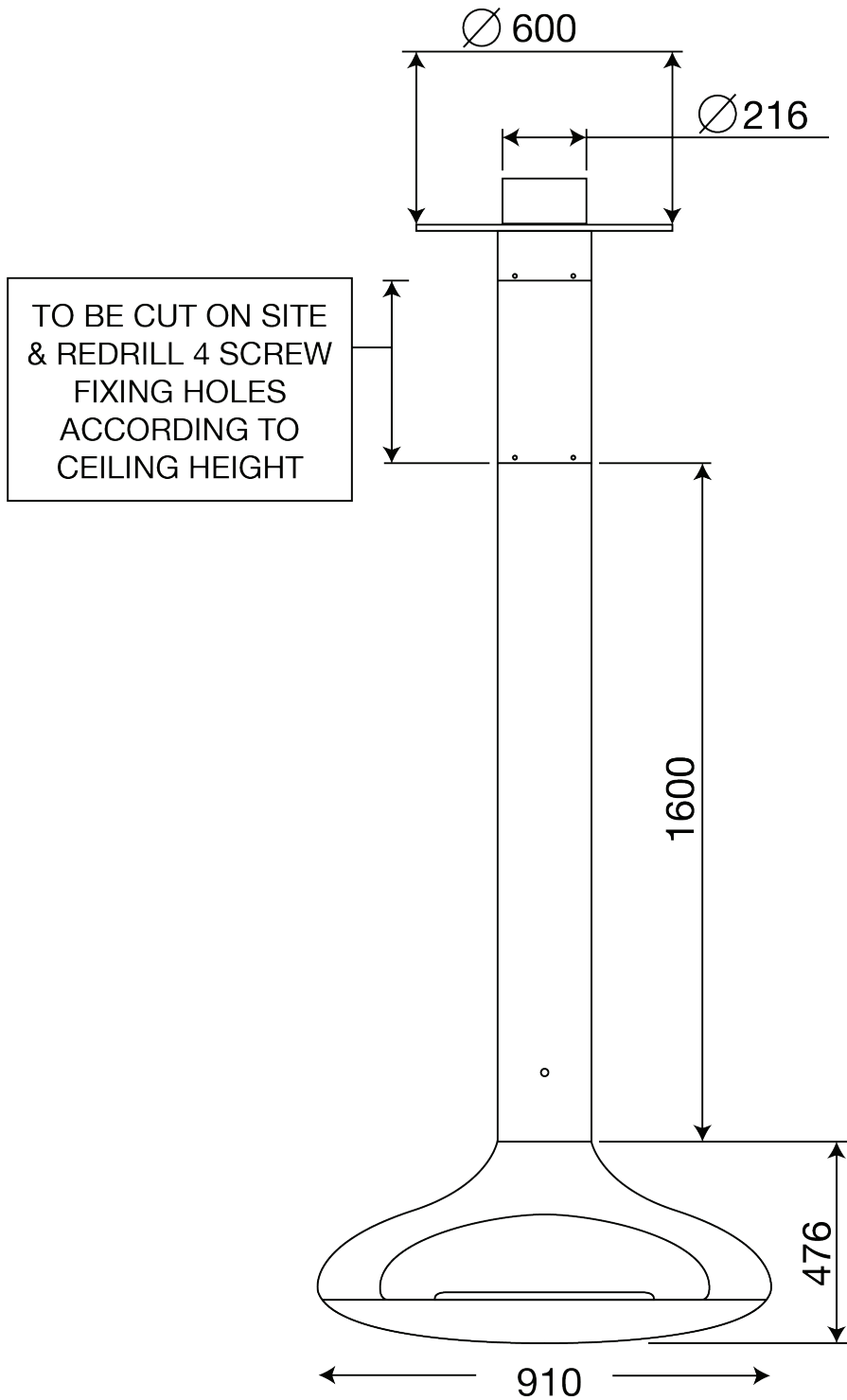
4.1

SPEC DRAWINGS



4.2

SPEC DRAWINGS

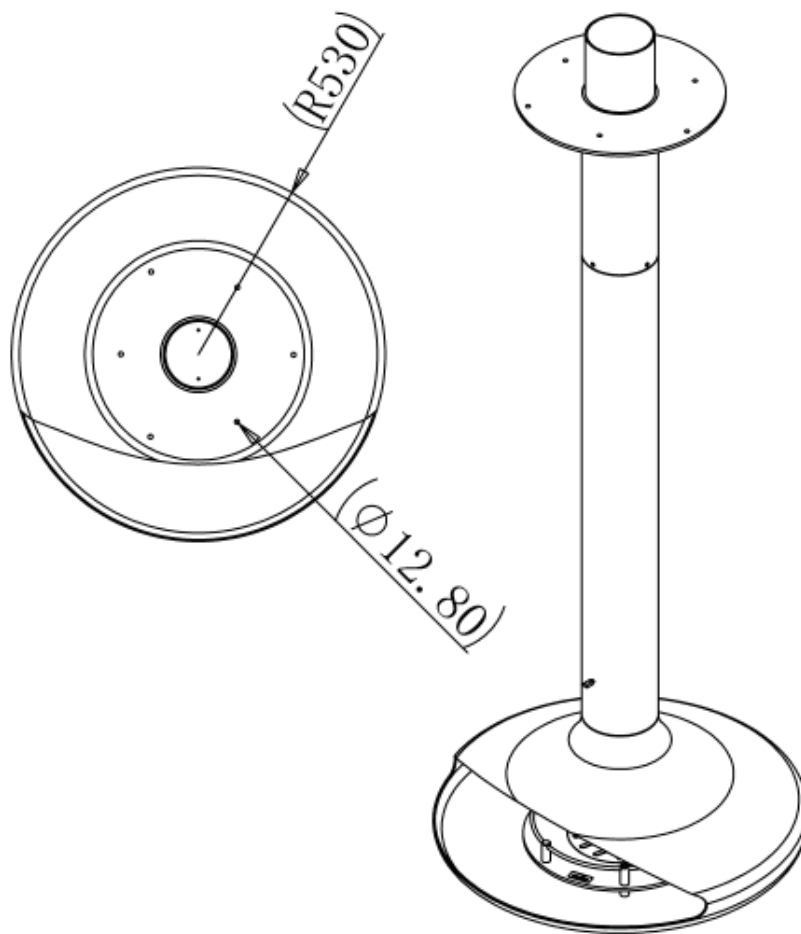


4.3

SPEC DRAWINGS

PLEASE NOTE:

Varies dependent on internal ceiling height



5.1

FIREBOX BEARINGS

PLEASE NOTE:

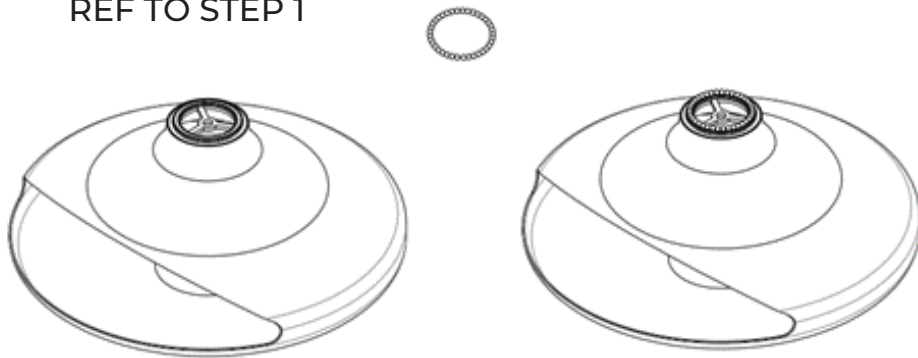
Atomo firebox shown in illustration. Tarvos firebox bearing install remains the same.

Assembly

01

STEP 1

- CAREFULLY PLACE BEARING STEEL BALLS IN BEARING RING ON SPIGOT, PLEASE ADD GREASE TO POSITION BALLS. GREASE COULD BE FOUND IN PACKING - REF TO STEP 1



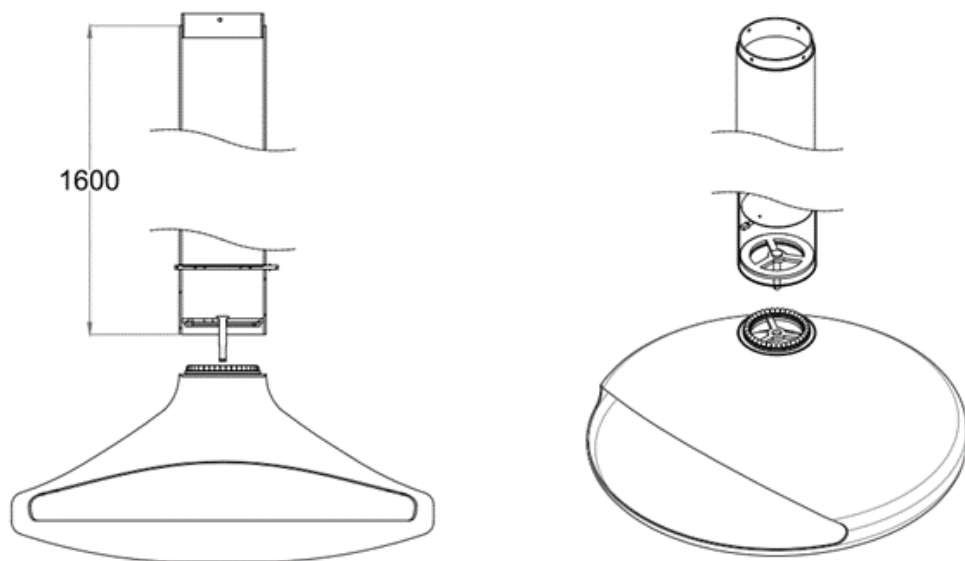
5.2

FIREBOX BEARINGS

02

STEP 2

- PLACE THE 1.6M FLUE ON SPIGOT CAREFULLY TO MAKE SURE BEARING BALL WILL NOT ESCAPE
- REF TO STEP 2



5.3

FIREBOX BEARINGS

03

STEP 3

- FIX ALL NUT AND WASHER ON THE EXTRUDING SCREW BAR, SLIGHTLY LOOSING MIGHT BE NEEDED IF YOU HEAR SOME UNACCEPTABLE NOISE WHEN YOU ROTATE FIREBOX OR FLUE. PLEASE NOTICE SMALL BEARING RING IS ON TOP, WASHER IS IN THE MIDDLE, AND TWO NUTS IS ON THE BOTTOM. - REF TO STEP 3 - THEN TIGHTEN NUT

