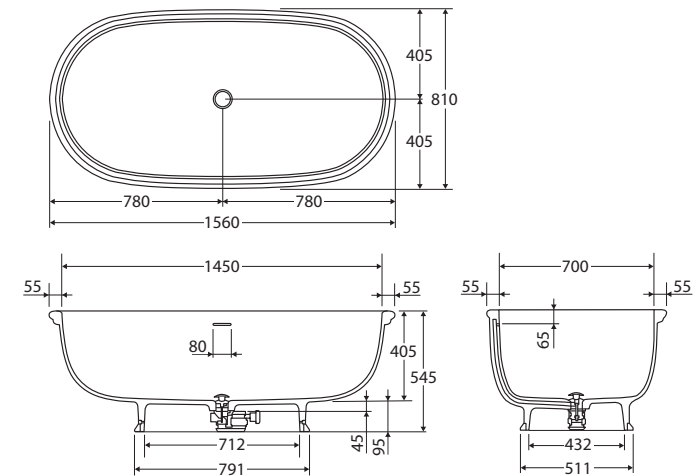


RAK Washington CAST STONE SOLID SURFACE BATH

Features

- Modern vintage freestanding style
- Built-in overflow
- Matte white solid surface cap waste included
- Net weight: 91kg

Installation Warning: Floor preparation may be required for off-centre waste positions. Please discuss with your builder/plumber before tiling and waterproofing your bathroom.



Made in Italy



Available in



Matte White Interior
& Exterior
ST68



Matte White Interior
Matte Grey Exterior
ST68G



Matte White Interior
Matte Black Exterior
ST68B

Cleaning & Care

- Wipe with a clean, soft cloth and mild soapy water or non-abrasive bathroom cleaner. Test in an inconspicuous area before cleaning the whole bath.
- Avoid placing hot objects, such as hair straighteners, on any surface as these will cause discolouration and marking.
- Spills of hair dye, after-shave lotion, nail polish and remover, aerosol spray and other harsh chemicals should be removed immediately to prevent damage and discolouration. Clean immediately with mild soapy water using a clean, soft cloth.
- Please find more information in the Care Guide for this product online at [fienza.com.au](https://www.fienza.com.au)

While we aim to ensure specifications are correct at the time of publication, Fienza reserves the right to make modifications without prior notice. Physical colour may vary from image shown. All measurements are shown in millimetres. Always use physical product measurements for mark-ups and roughing-in as the technical drawing may differ from actual product received.