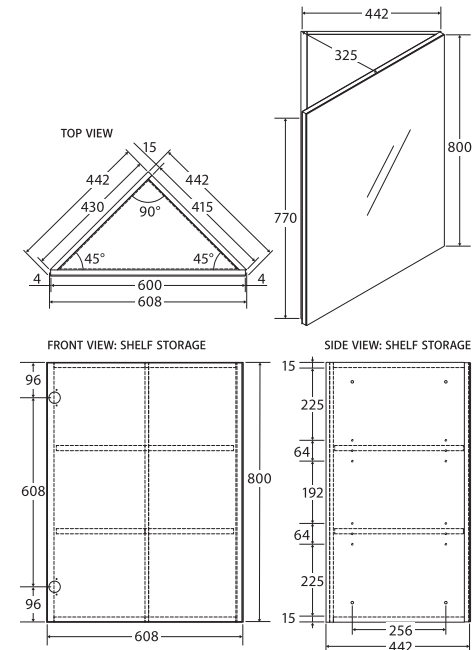
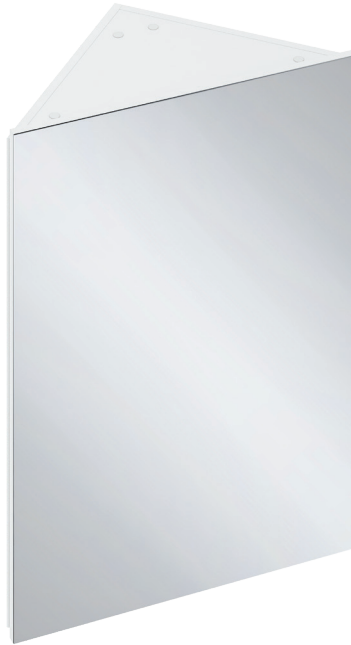


Corner MIRROR CABINET

Features

- 3 mm thick glass mirror with pencil edge
- Copper-free to prevent corrosion
- Soft-close door with reversible design (rotate whole cabinet for left or right hinged door and adjust shelves)
- Two adjustable internal board shelves
- Strong 15 mm thick backing board
- Wall mounting screws included



Available in



White Cabinet with
Pencil Edge Mirror
PSH6080

Cleaning & Care

- Clean mirrors with a combination of 30% methylated spirits to 70% water and a soft cloth designed for use on glass surfaces.
- Clean cabinet with mild soapy water using a clean, soft cloth.
- Do not use harsh detergents, bleach, abrasive cleaners or cream/wax cleaners. These substances can result in scratches and/or deposit build-ups that will affect the appearance.
- Avoid placing hot objects, such as hair straighteners, on any surface as these will cause discolouration and marking.
- Spills of hair dye, after-shave lotion, nail polish and remover, aerosol spray and other harsh chemicals should be removed immediately to prevent damage and discolouration.

While we aim to ensure specifications are correct at the time of publication, Fienza reserves the right to make modifications without prior notice. Physical colour may vary from image shown. All measurements are shown in millimetres. For MDF cabinetry, please allow +/- 5 mm tolerance per 1000 mm for manufacturing variance in straightness. Always use physical product measurements for mark-ups and roughing-in as the technical drawing may differ from actual product received.