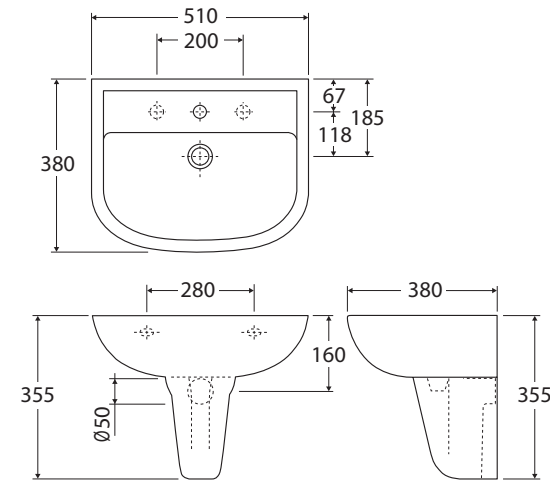


RAK X500

WALL-HUNG BASIN WITH INTEGRAL SHROUD



Features

- Can be installed to comply with AS1428.1
- Vitreous china with gloss white finish
- Requires 32 mm waste without overflow (not included)
- Kee seal and wall mounting bolts included
- Capacity: 7.2 litres



Available in



1 Tap Hole
601801W



3 Tap Holes
601803W

Cleaning & Care

- Wipe with a clean, soft cloth and mild soapy water or non-abrasive bathroom cleaner. Test in an inconspicuous area before cleaning the whole basin.
- Avoid placing hot objects, such as hair straighteners, on any surface as these will cause discolouration and marking.
- Spills of hair dye, after-shave lotion, nail polish and remover, aerosol spray and other harsh chemicals should be removed immediately to prevent damage and discolouration. Clean immediately with mild soapy water using a clean, soft cloth.

We aim to ensure that specifications are correct at the time of publication. All measurements are shown in millimetres. For ceramic products, please allow +/- 10 mm tolerance for manufacturing variance. Always use measurements of actual product received for final specification as the technical drawing may contain differences. Due to printing limitations, physical colour may vary from the image shown. Fienza reserves the right to make modifications without prior notice.